



RIDGES PONDVIEW MEDICAL BUILDING

501 EAST NICOLLET BLVD., ● BURNSVILLE, MN 55337

- 2,943 SF AVAILABLE
- SUB-LEASE THROUGH APRIL 2027
- ANCHORED BY SOUTHDALE PEDIATRICS, DAVITA DIALYSIS CLINIC AND MINNEAPOLIS CLINIC OF NEUROLOGY
- SHARED CONFERENCE ROOM & VENDING MACHINES
- BETWEEN 35E & 35W JUST NORTH OF I-35 SPLIT
- AREA AMENITIES INCLUDE: BURNSVILLE CENTER, ABUNDANT FAST FOOD, LODGING AND RETAIL AREAS

CONTACT:

WWW.ESSENCEREALESTATE.COM

JEFF NORDNESS
jeff@essencerealestate.com
651-341-5044

RIDGES PONDVIEW MEDICAL BUILDING

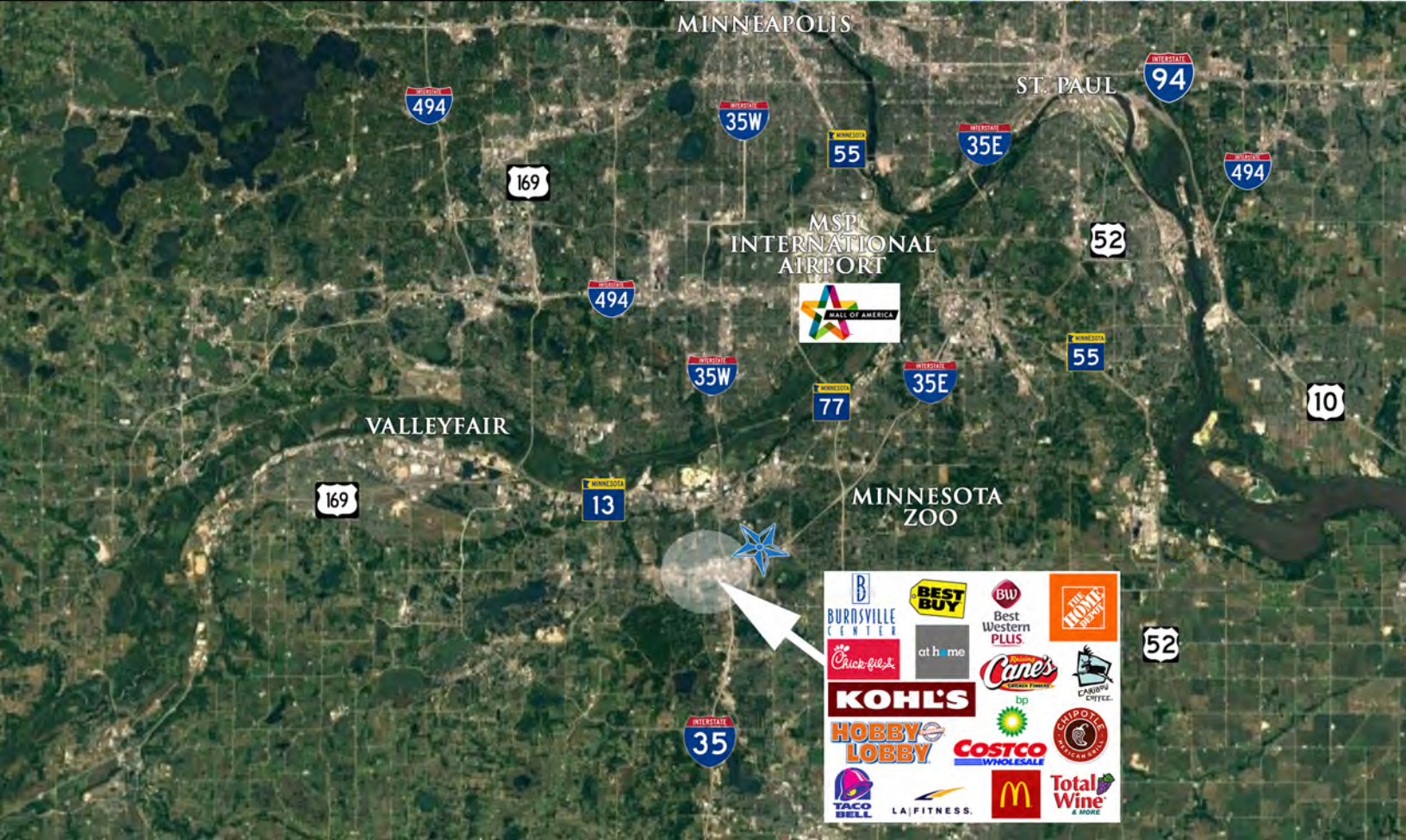
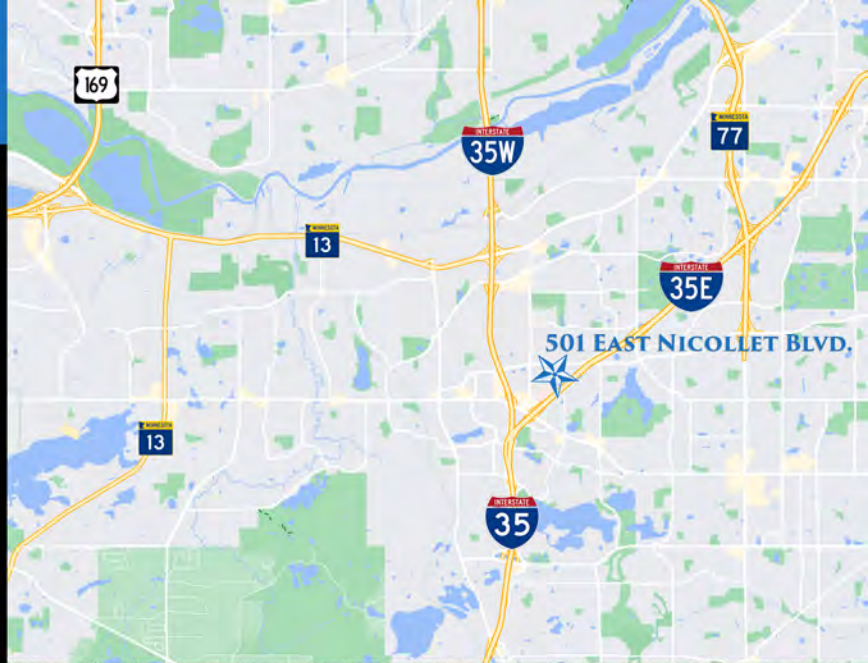
501 EAST NICOLLET BLVD., ● BURNSVILLE, MN 55337

BUILDING DETAILS:

OFFICE NET RENT: \$23.34 SF
2023 EST. OP. EXP. \$20.89 SF

SPACE AVAILABLE:
SUITE 120 2,943 SF

**APPROX. \$10,847
A MONTH**



JOIN THIS MEDICAL SPACE WITHIN RIDGES HOSPITAL CAMPUS

ERSI

ESSENCE
REAL ESTATE
SERVICES INC.

COMMERCIAL REAL ESTATE SINCE 1990

JEFF NORDNESS

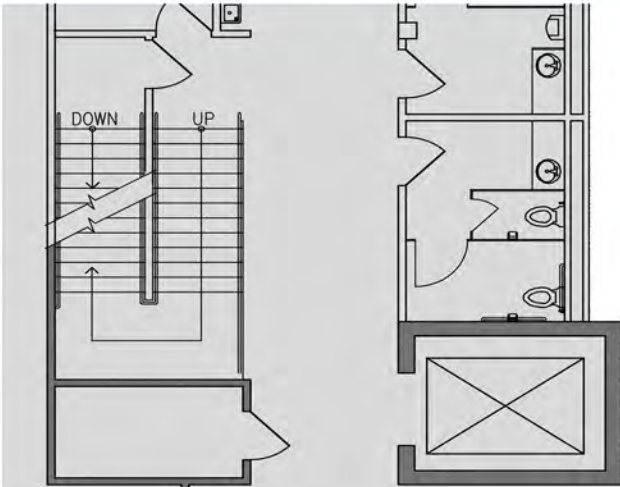
651-341-5044

jeff@essencerealestate.com

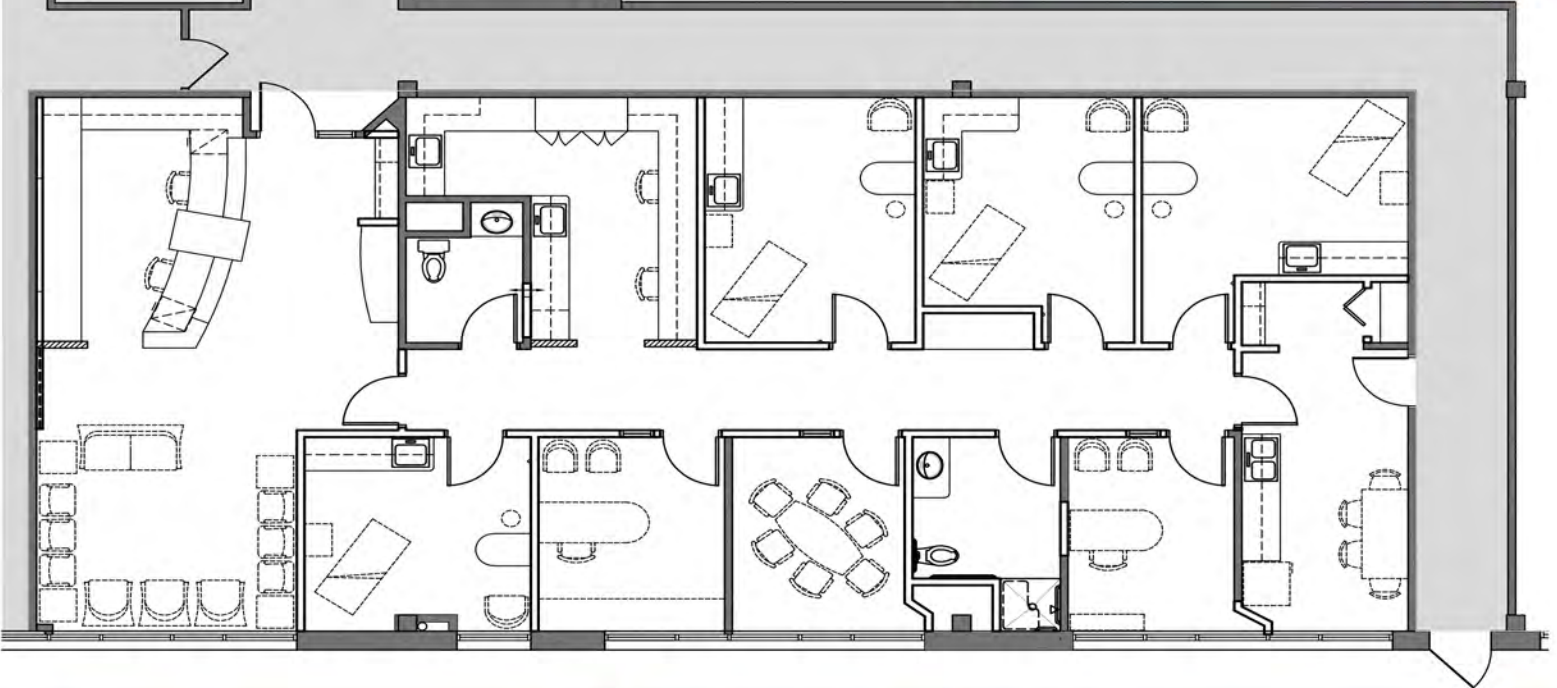
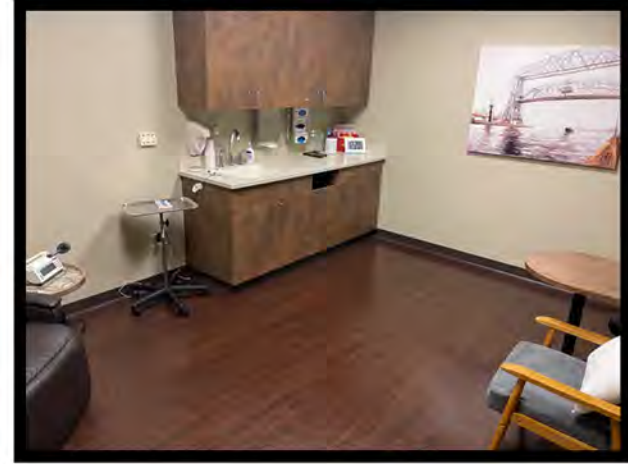
OFFICE: 651-482-1871

RIDGES PONDVIEW MEDICAL BUILDING

501 EAST NICOLLET BOULEVARD • BURNSVILLE, MN 55337



SUITE 120
2,943 SF



ERSI

ESSENCE
REAL ESTATE
SERVICES INC.

COMMERCIAL REAL ESTATE SINCE 1990

JEFF NORDNESS

651-341-5044

jeff@essencerealestate.com

OFFICE: 651-482-1871